



Roman Corinthian Capital

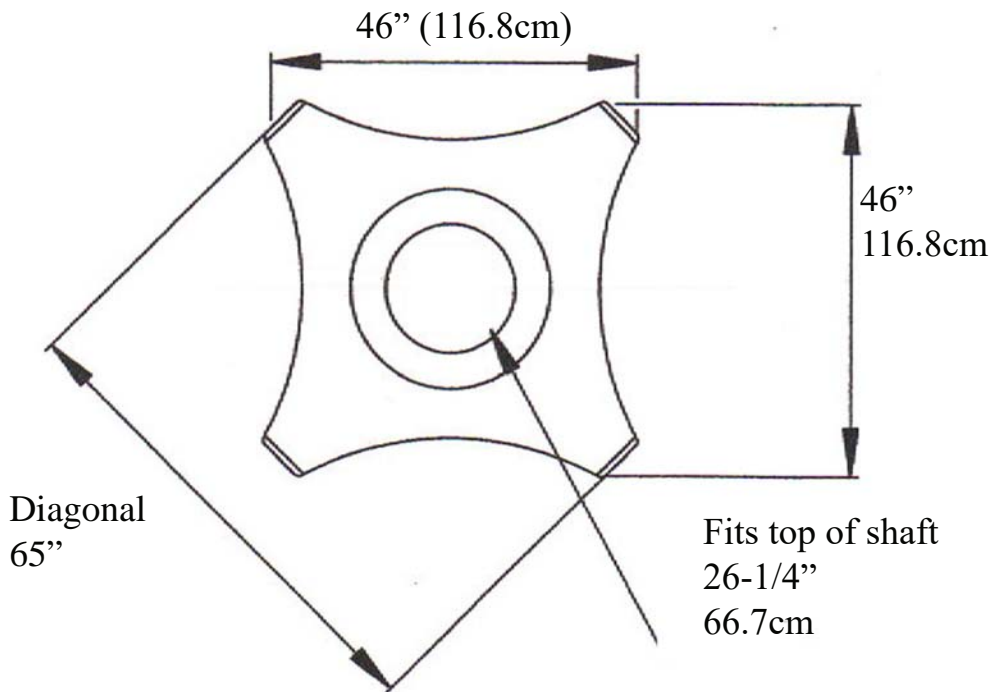
IPRC030 PolyComp



Total
Height
37"
94cm

* PolyComp™
Composite

Weight 225 lbs



* All specifications subject to change without notice,
Final products & Measurements may vary from this brochure Manufacturing tolerences +/- 1/8" (.31cm)



Imperial Productions®

1-800-399-7585

Imperial Productions & Distribution Inc Toronto / New York / Chicago
email sales@imperialproductions.com copyright 2016 MRDCI All Rights Reserved

OCT-23