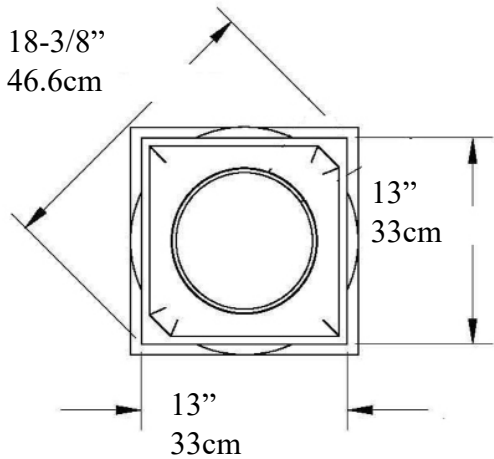




# Tuscan Non-Tapered Smooth Column

## IPTUS0910SNT-TCTB FRP-PolyComp™

### Tuscan Capital EconPolymert™



Cap 5" (12.7cm)

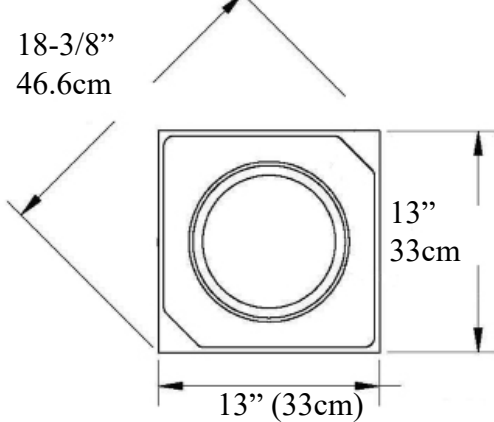
Optional Astragal=>

Top of Shaft  
Minimum

Inside Diameter  
8-3/4" (22.2cm)

Outside Diameter  
9-3/4" (27.7cm)

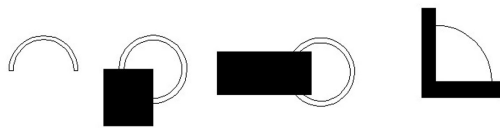
### Tuscan Base EconPolymert™



Bottom of Column  
Outside Diameter  
9-3/4"  
27.7cm

### Optional Cuts

A B C D



A= Half column

B = 3/4 Outside Corner

C = Wall Cover Engaged

D = 1/4 Column Inside Corner

E = Engaged any percentage

Base & Plinth =>  
5" (12.7cm)



<=

Total Height

9 Feet 108"

2.74 metre

Shaft weight 100 lbs (45.3kg)  
Center Loads to 14,000lbs (6.35m tons)

\* *assembly required, drawing not to scale*

\* *For Load Application check with your structural engineer for suitability in your local area*

\* All specifications subject to change without notice, Final products & Measurements may vary from this brochure



Imperial Productions®

1-800-399-7585

Imperial Productions & Distribution Inc.

email sales@imperialproductions.com copyright 2016 MRDCI All Rights Reserved

SEP-24



# REQUEST FOR COLUMN QUOTE

## Download and Auto Fill

Name / Company \_\_\_\_\_

Contact Name: \_\_\_\_\_

Phone # \_\_\_\_\_ Email: \_\_\_\_\_

Bill To Address  
\_\_\_\_\_  
\_\_\_\_\_

ShipTo Address  
\_\_\_\_\_  
\_\_\_\_\_

ZIP/PC \_\_\_\_\_

ZIP/PC \_\_\_\_\_

Product Code \_\_\_\_\_

- 1) Residential
- 2) Commercial
- 3) Commercial Load Bay

# of Columns Whole \_\_\_\_\_

Fill in \_\_\_\_\_

# Split for Wrap (A) \_\_\_\_\_

Notes: \_\_\_\_\_

# Split for Engaged (A) \_\_\_\_\_

\_\_\_\_\_  
\_\_\_\_\_



# Split B \_\_\_\_\_

# Split C \_\_\_\_\_

# Split D \_\_\_\_\_

Date: \_\_\_\_\_



Imperial Productions®

1-800-399-7585

Imperial Productions & Distribution Inc.

email sales@imperialproductions.com copyright 2016 MRDCI All Rights Reserved