

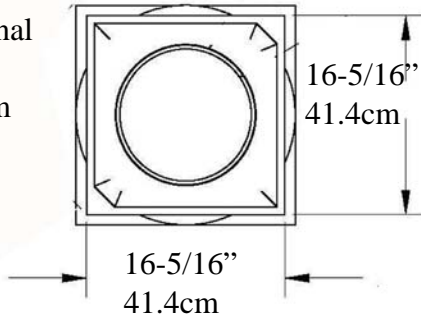


Tuscan Tapered Smooth Column

IPTUS1014S-TCTB FRP-PolyComp™

Tuscan Capital EconPolymertm

Diagonal
23"
58.4cm

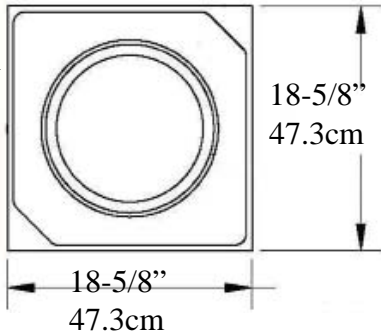


Cap 4-1/4" (10.7cm)=>

Top of Shaft
Outside Diameter
11-1/2"
29.2cm

Tuscan Base EconPolymertm

Diagonal
26-5/16"
66.8cm



Taper Ends
from Bottom
approximately
24" (60.9cm)
down shaft

Bottom of Column
Outside Diameter
13-5/8"
34.6cm

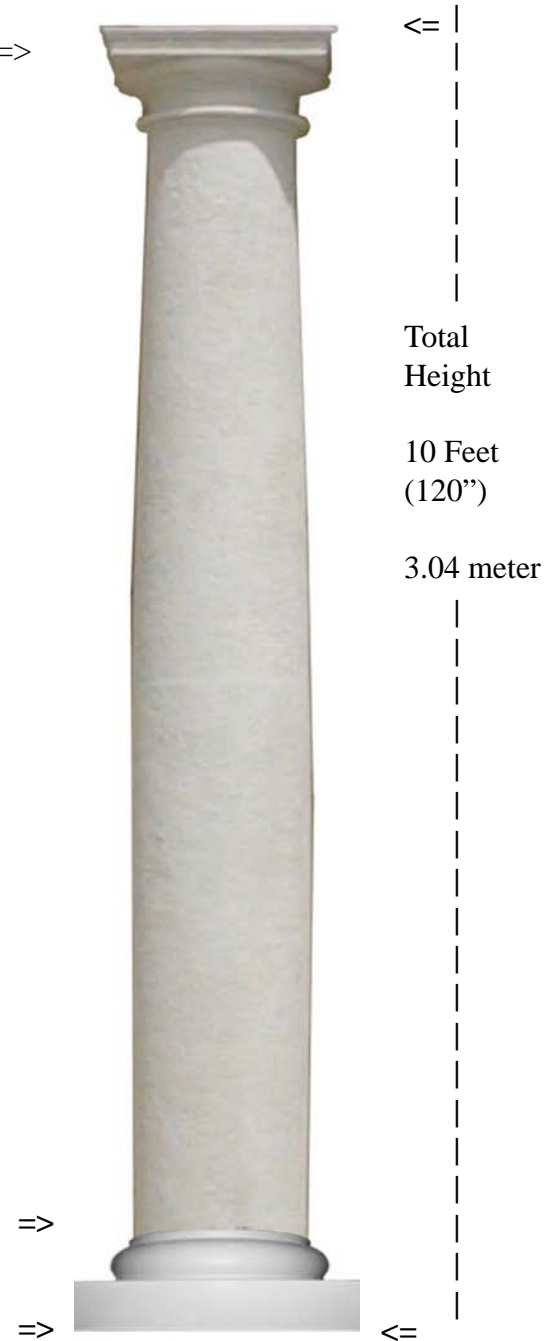
Optional Cuts

A B C D



- A = Half column
- B = 3/4 Outside Corner
- C = Wall Cover Engaged
- D = 1/4 Column Inside Corner
- E = Engaged any percentage

Base & Plinth
7-3/4" (19.6cm)



Weight Shaft 163 lb (73.9 Kg)
Centered Load to 20,000lbs (9.07m tons)

* *assembly required, drawing not to scale*

* *For Load Application check with your structural engineer for suitability in your local area*

* All specifications subject to change without notice, Final products & Measurements may vary from this brochure



Imperial Productions®

1-800-399-7585

Imperial Productions & Distribution Inc.

email sales@imperialproductions.com copyright 2016 MRDCI All Rights Reserved

SEP-24



REQUEST FOR COLUMN QUOTE

Download and Auto Fill

Name / Company _____

Contact Name: _____

Phone # _____ Email: _____

Bill To Address

ShipTo Address

ZIP/PC _____

ZIP/PC _____

Product Code _____

- 1) Residential
- 2) Commercial
- 3) Commercial Load Bay

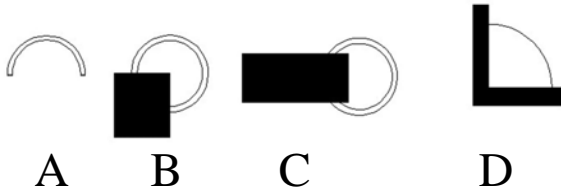
of Columns Whole _____

Fill in _____

Split for Wrap (A) _____

Notes: _____

Split for Engaged (A) _____



Split B _____

Split C _____

Split D _____

Date: _____



Imperial Productions®

1-800-399-7585

Imperial Productions & Distribution Inc.

email sales@imperialproductions.com copyright 2016 MRDCI All Rights Reserved