



Imperial Productions & Distribution Inc.

Toronto • New York

Toll: 1-800-399-7585 Fax: 1-888-244-1083

www.imperialproduction.com sales@imperialproduction.com

CUSTOM SIZE CHART

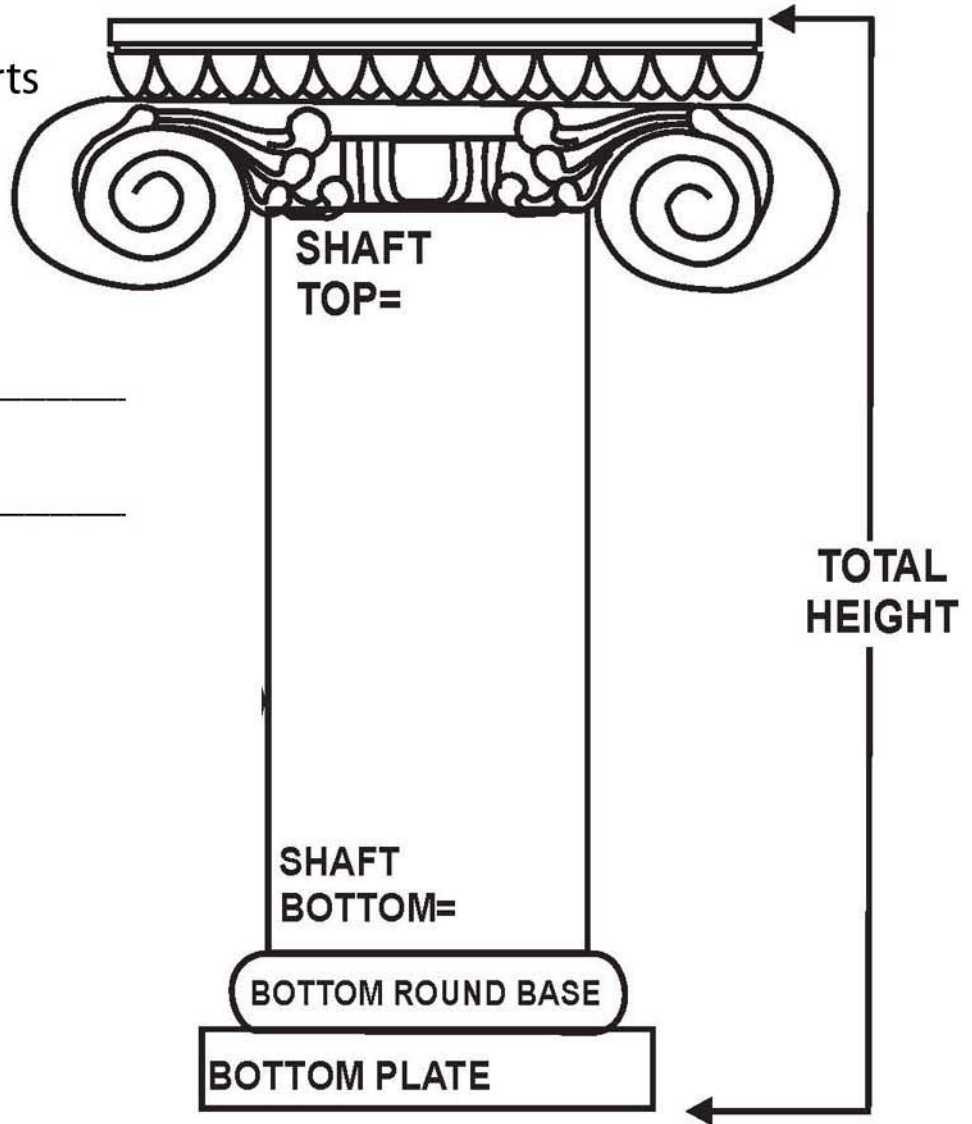
NON TAPERED FOR CARVED CAPITALS

Number of Columns _____

Total Height Including all parts

Bottom Round Diameter _____

Bottom Square Plate _____



Circle the Following

SHAFT TYPE:

Smooth Reeded

12 Flutes 24 Flutes

Type of Wood Species

PLEASE INITIAL _____ DATE _____

Note: 4" diameters are solid wood - 5" & greater are hollow

***All sizes are approximate only**