



**Imperial Productions & Distribution Inc.**

**Toronto • New York**

**Toll: 1-800-399-7585 Fax: 1-888-244-1083**

**www.imperialproduction.com sales@imperialproduction.com**

# **CUSTOM SIZE CHART**

## **TAPERED FOR CARVED CAPITALS**

Number of Columns \_\_\_\_\_

Total Height Including all parts  
\_\_\_\_\_

Bottom Round Diameter \_\_\_\_\_

Bottom Square Plate \_\_\_\_\_

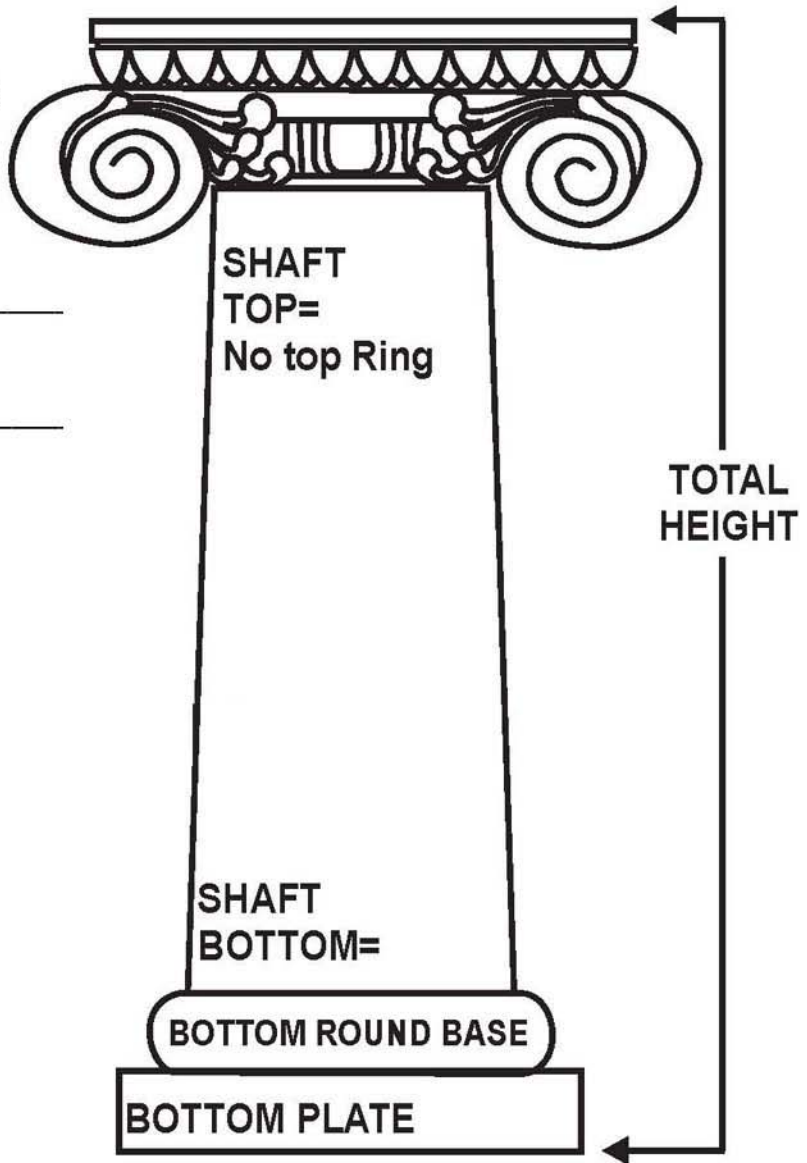
Circle the Following

SHAFT TYPE:

Smooth    Reeded

12 Flutes    24 Flutes

Type of Wood Species \_\_\_\_\_



**PLEASE INITIAL** \_\_\_\_\_ **DATE** \_\_\_\_\_

**Note: 4" diameters are solid wood - 5" & greater are hollow**

*\*All sizes are approximate only*